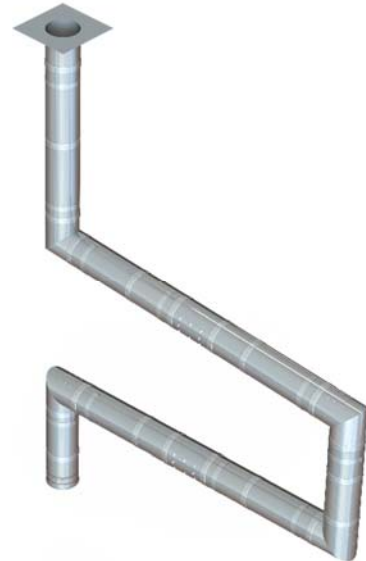


Grease Duct Spec

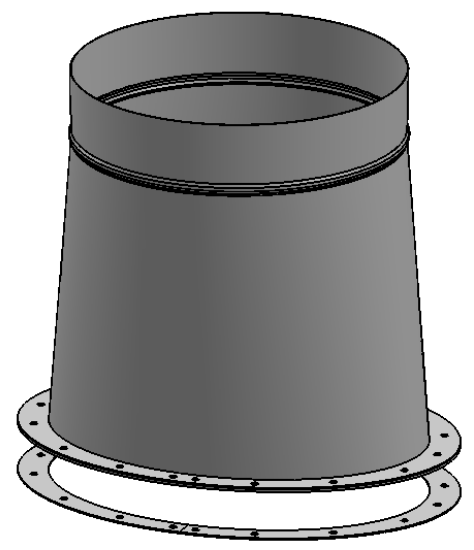
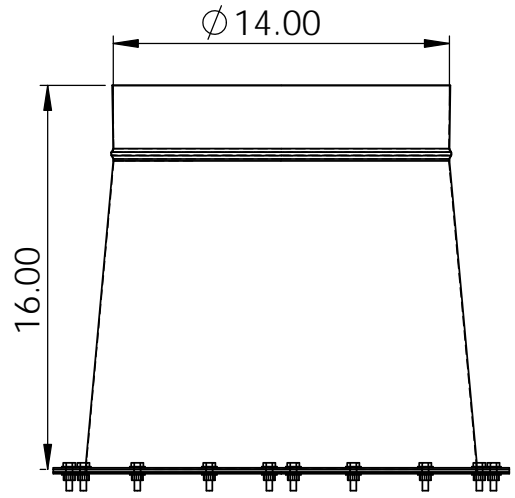
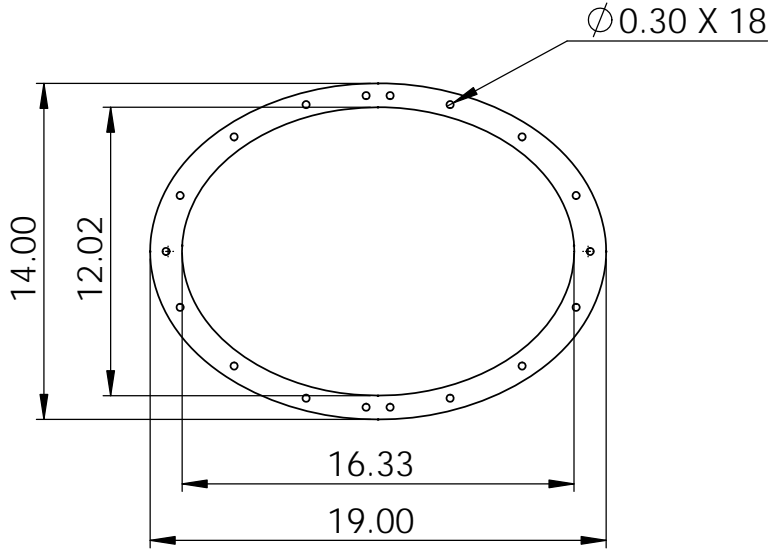
Model:

SW-NAKS-KIT09



**Single Wall Conical 14”
with Four Elbows**

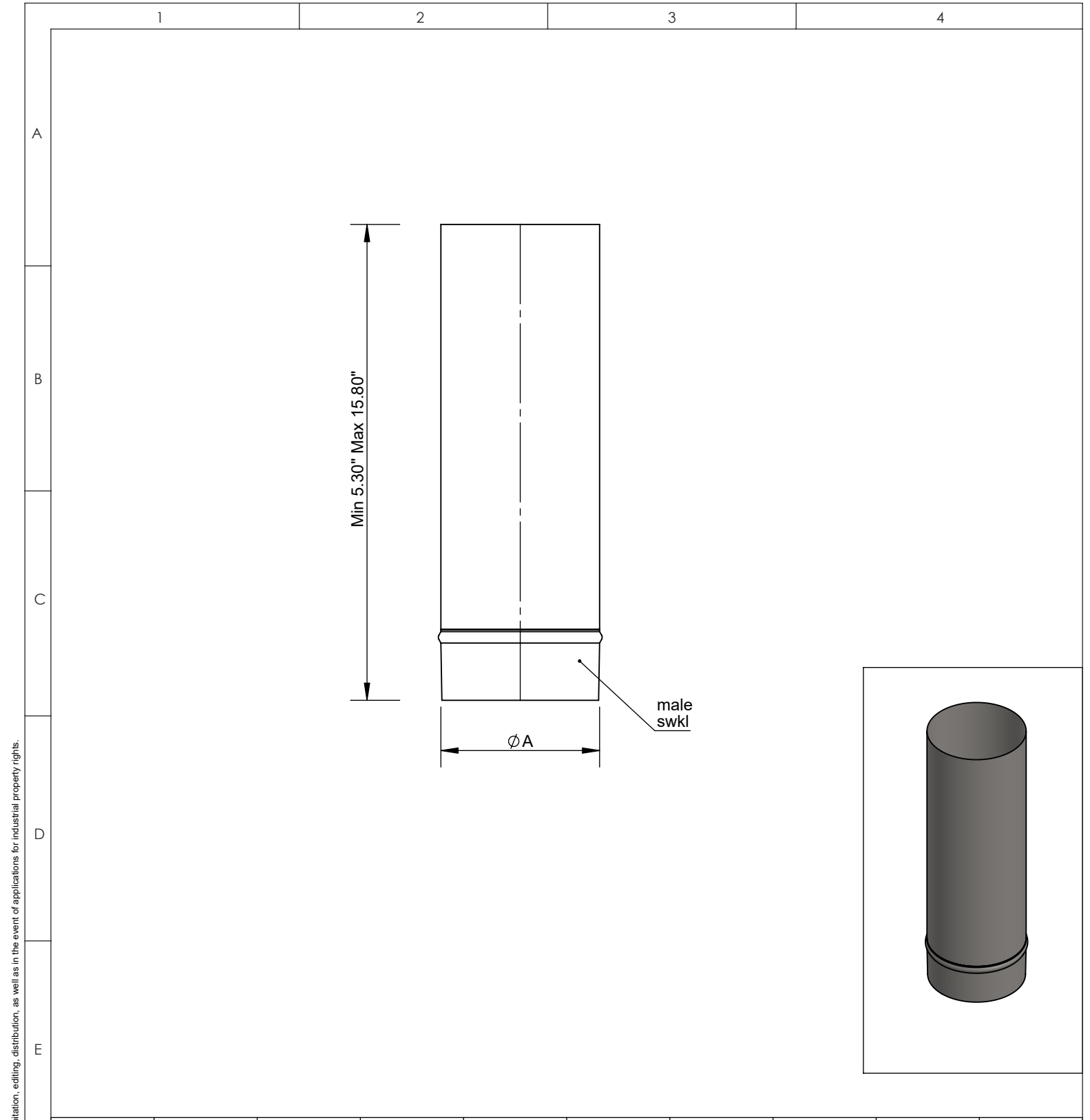


A
B
C
D
E




Ø	14	16	18	20	22
A	14	16	18	20	22

material: inside/outside	304	surface: inside/outside	BA	inch / lb			 NORTH AMERICAN KITCHEN SOLUTIONS INCORPORATED	scale
				revisions-no.				format US LETTER
F	description		No-Weld Hood Adapter	code	SWNAKS14-NWHA	drawing no.	sheet	
	date	name						
	drawn by							
	checked by							
	approved by							
	modified by							

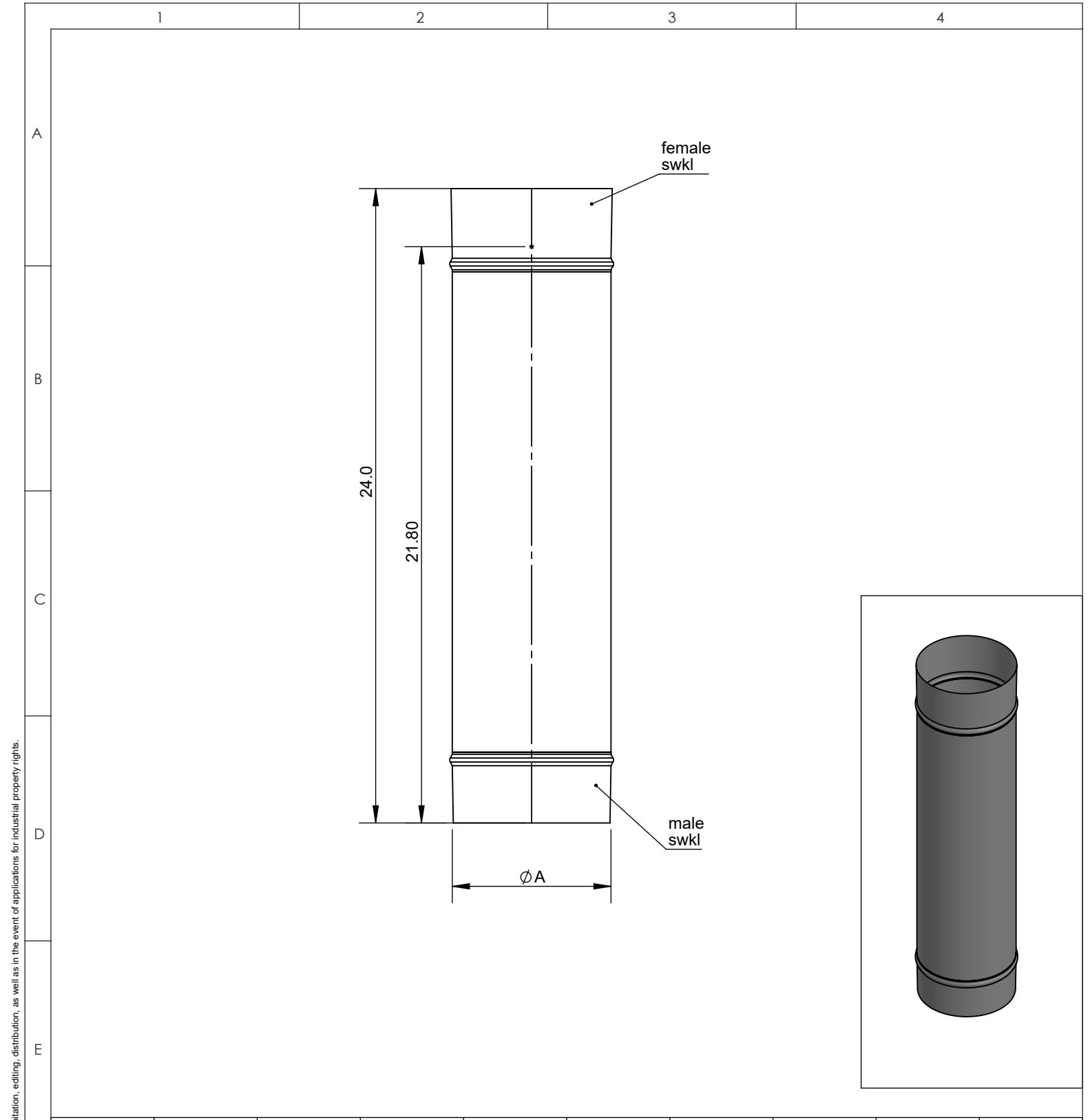


ϕ	10	11	12	13	14	16	18	20	22
A	10	11	12	13	14	16	18	20	22



F	material: inside/outside	304	surface: inside/outside	BA	inch / lb		 NORTH AMERICAN KITCHEN SOLUTIONS INCORPORATED	scale
	revisions-no.		A		description			format
	date		name		KAB 18" Cut Length			US LETTER
	drawn by				code			sheet
	checked by				SWNAKSØ-18CL			
approved by				drawing no.				
modified by								

© NAKS Inc. All rights reserved, also regarding any disposal, exploitation, editing, distribution, as well as in the event of applications for industrial property rights.





© NAKS Inc. All rights reserved, also regarding any disposal, exploitation, editing, distribution, as well as in the event of applications for industrial property rights.

	Ø	10	11	12	13	14	16	18	20	22	
	A	10	11	12	13	14	16	18	20	22	
F	material: inside/outside	304		surface: inside/outside	BA		inch / lb				scale
				revisions-no.		 NORTH AMERICAN KITCHEN SOLUTIONS INCORPORATED				format	
											sheet
											



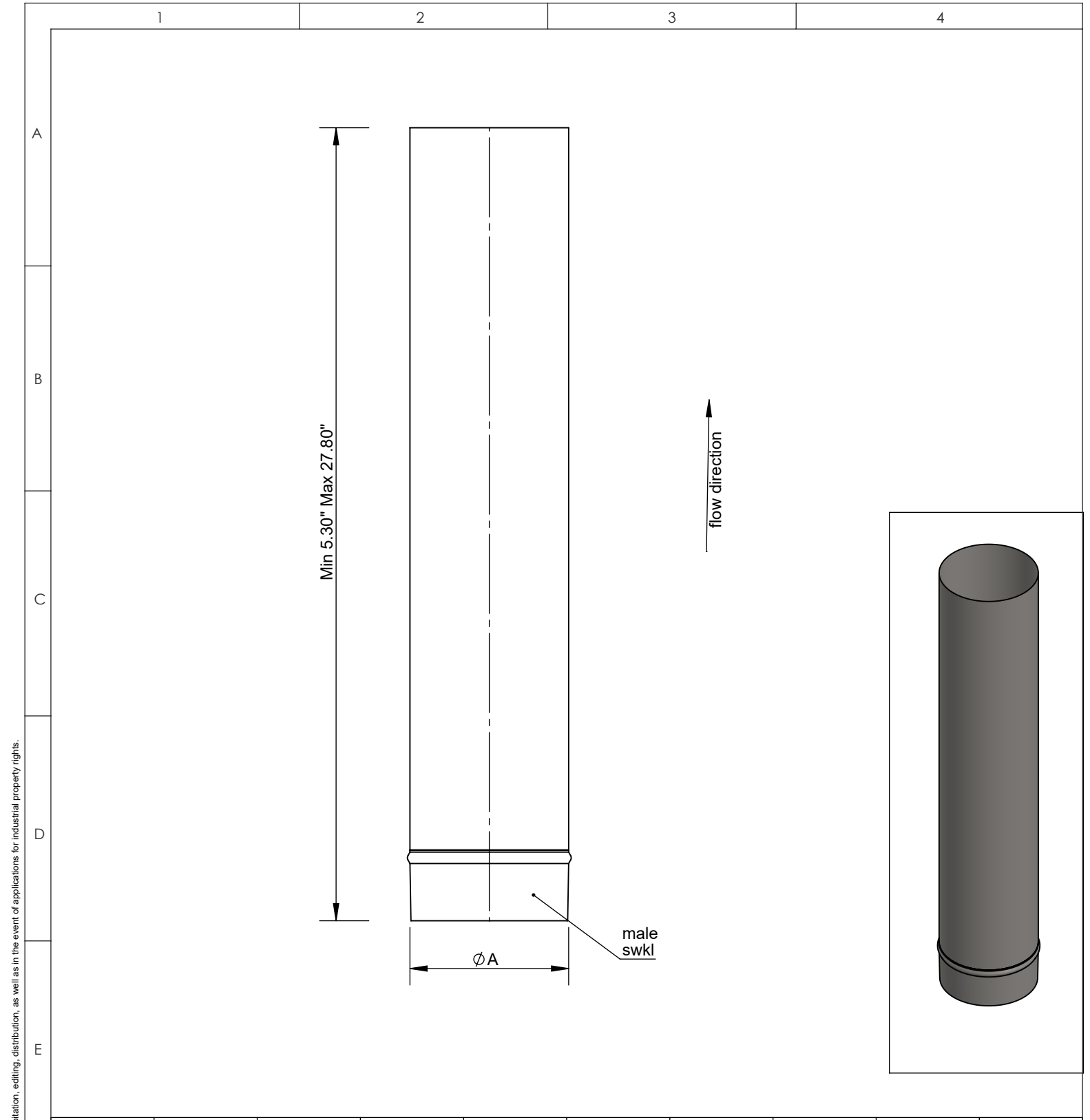
NORTH AMERICAN KITCHEN SOLUTIONS
INCORPORATED

description **24" Fixed Length**



code **SWNAKSØ-24L**

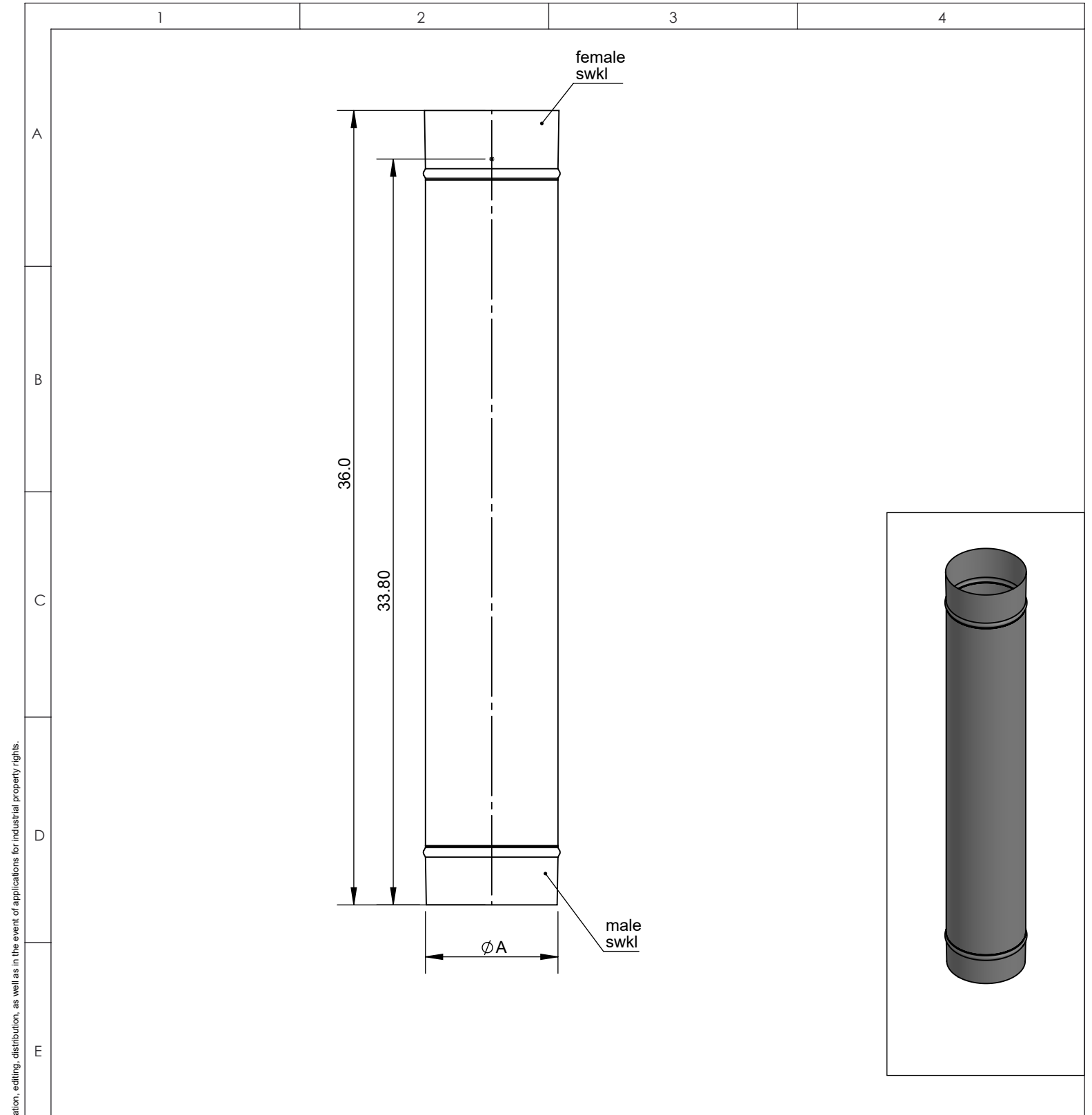
drawing no.

scale
format
US LETTER
sheet






© NAKS Inc. All rights reserved, also regarding any disposal, exploitation, editing, distribution, as well as in the event of applications for industrial property rights.

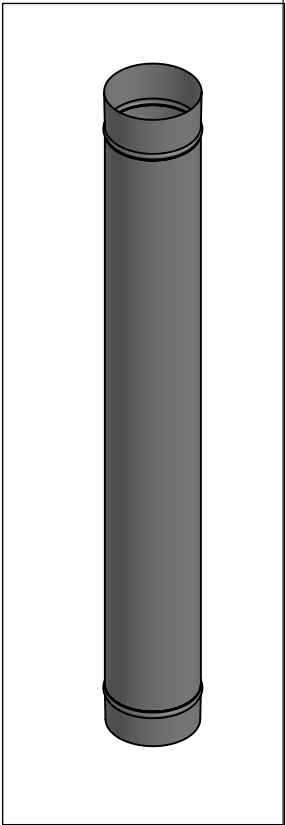
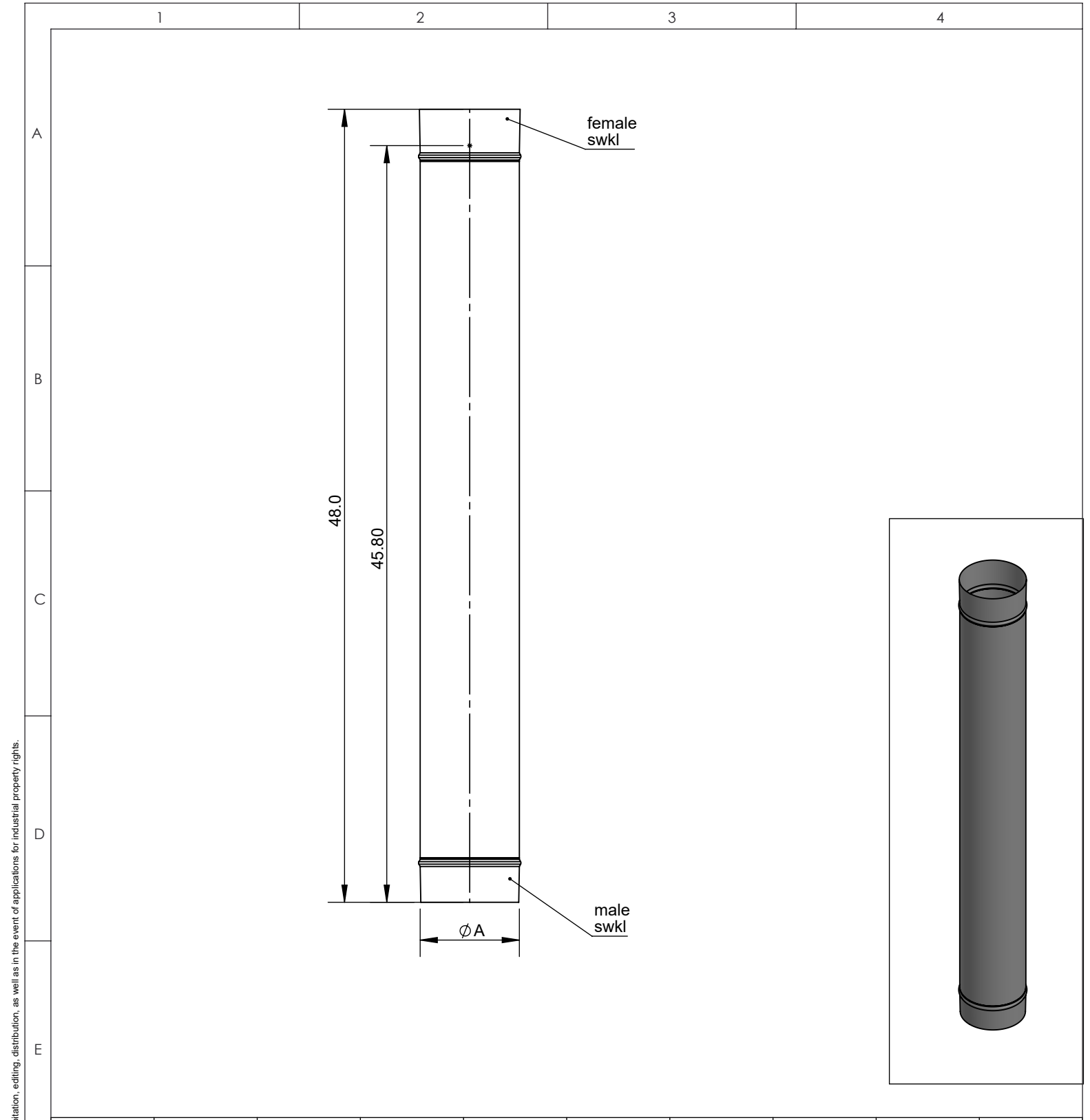
	Ø	10	11	12	13	14	16	18	20	22
	A	10	11	12	13	14	16	18	20	22
F	material: inside/outside		surface: inside/outside		inch / lb		 NORTH AMERICAN KITCHEN SOLUTIONS INCORPORATED			scale
	304		BA		revisions-no.					description
			date	name					sheet	
			drawn by						code	SWNAKSØ-30CL
			checked by						drawing no.	
		approved by								
		modified by								





\emptyset	10	11	12	13	14	16	18	20	22
A	10	11	12	13	14	16	18	20	22

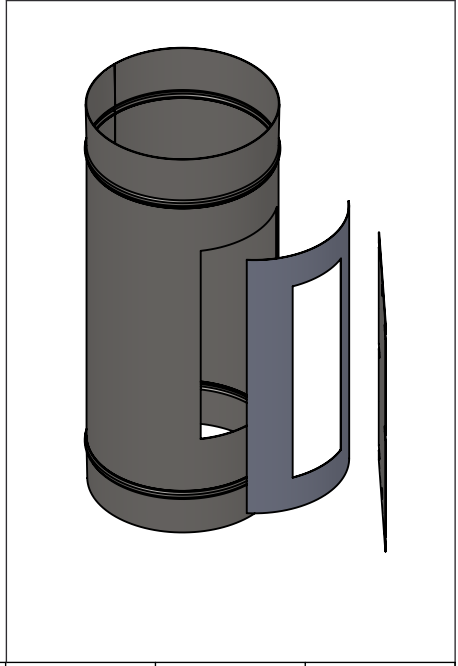
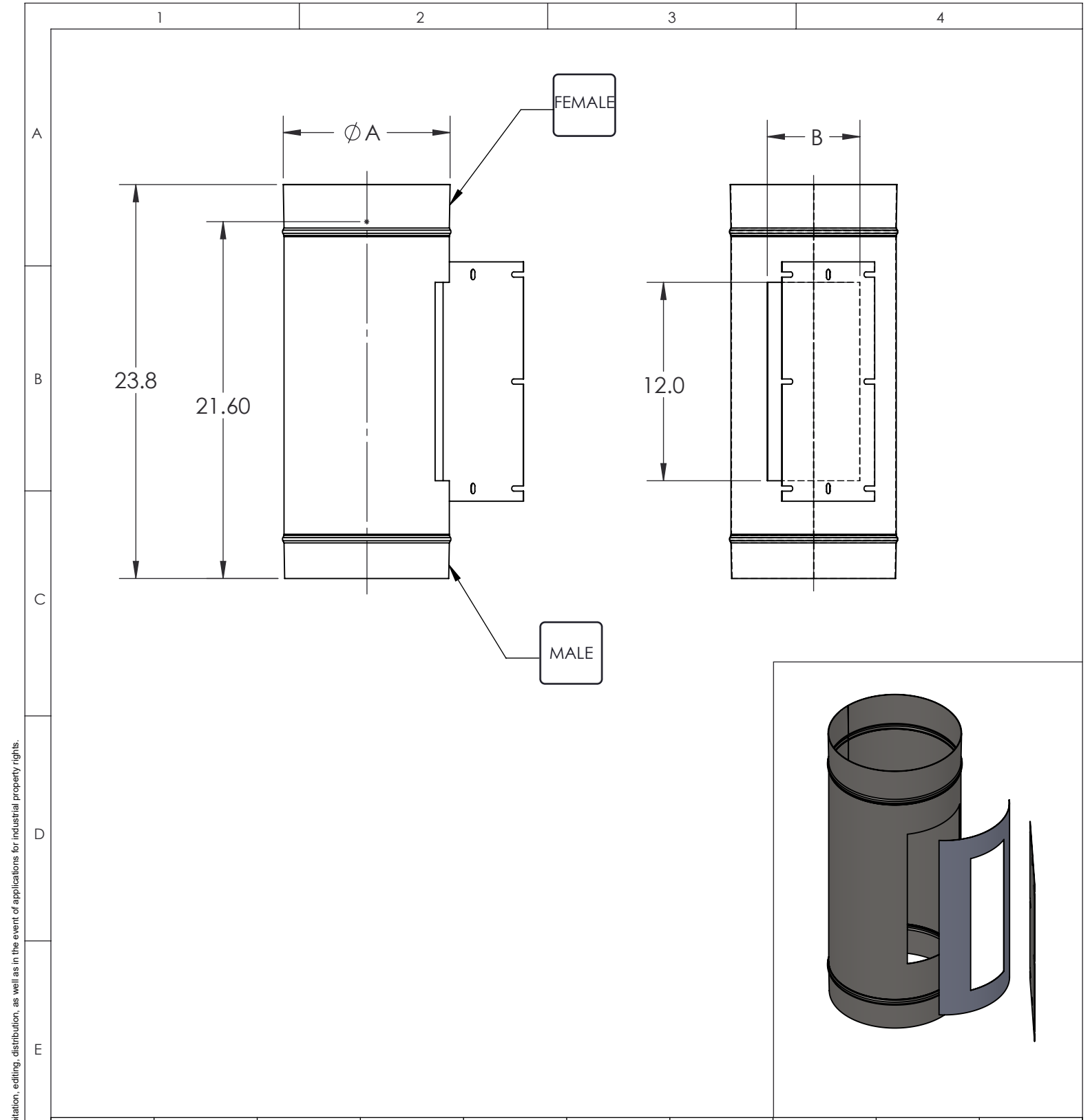
material: inside/outside	304	surface: inside/outside	BA	inch / lb				 NORTH AMERICAN KITCHEN SOLUTIONS INCORPORATED	scale		
				revisions-no.					description 36" Fixed Length	format US LETTER	
				date	name		code SWNAKSØ-36L			sheet	
				drawn by						drawing no.	
				checked by							
approved by											
modified by											

© NAKS Inc. All rights reserved, also regarding any disposal, exploitation, editing, distribution, as well as in the event of applications for industrial property rights.





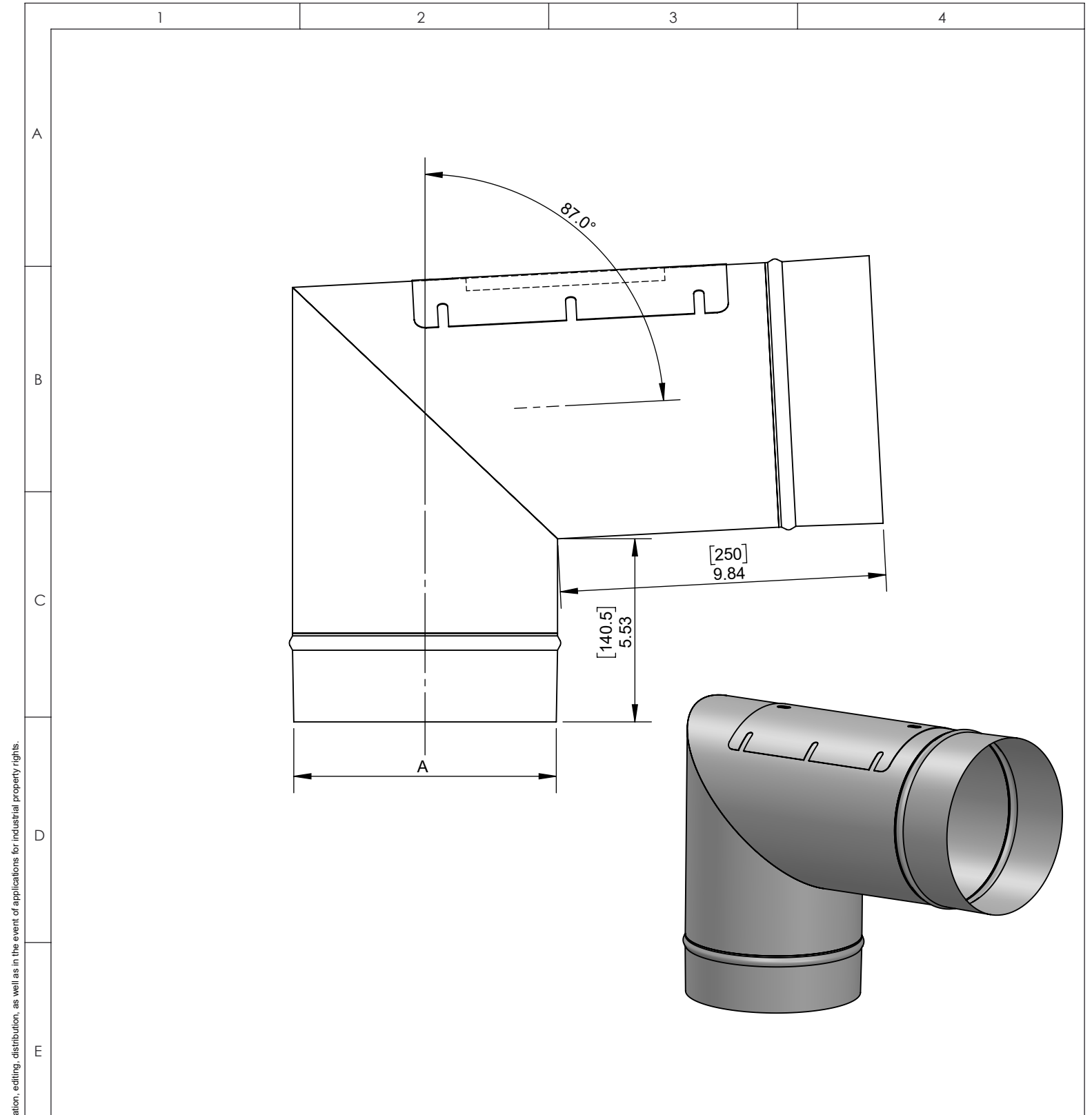
© NAKS Inc. All rights reserved, also regarding any disposal, exploitation, editing, distribution, as well as in the event of applications for industrial property rights.

	\emptyset	10	11	12	13	14	16	18	20	22
	A	10	11	12	13	14	16	18	20	22
F	material: inside/outside		surface: inside/outside		inch / lb		 NORTH AMERICAN KITCHEN SOLUTIONS INCORPORATED			scale
	304		BA		revisions-no.					description
					date	name				sheet
					drawn by					
					checked by					
				approved by		code				
				modified by		SWNAKSØ-48L				
						drawing no.				





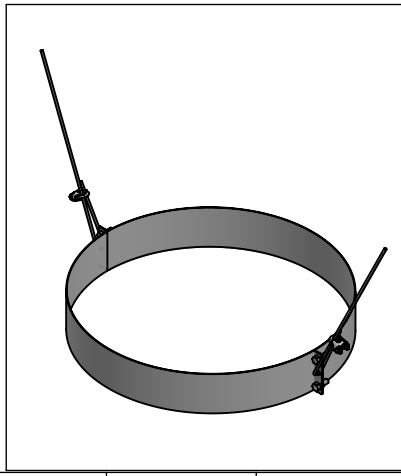
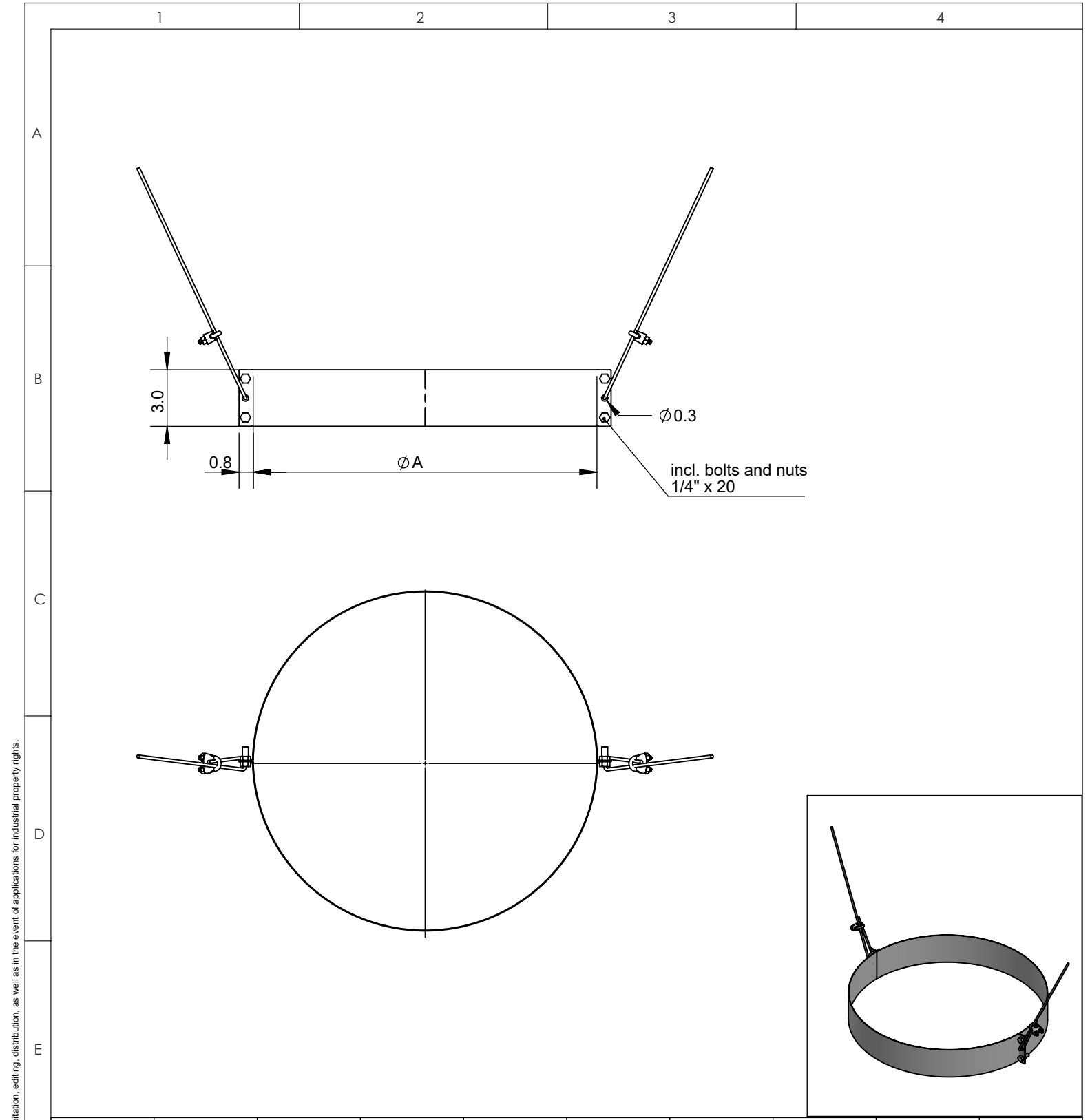
© NAKS Inc. All rights reserved, also regarding any disposal, exploitation, editing, distribution, as well as in the event of applications for industrial property rights.

ϕ	10	11	12	13	14	16	18	20	22				
A	10	11	12	13	14	16	18	20	22				
material: inside/outside	304		surface: inside/outside	BA		inch / lb				scale			
				revisions-no.				 NORTH AMERICAN KITCHEN SOLUTIONS INCORPORATED	format				
				date	name	description				US LETTER			
				drawn by		code				sheet			
				checked by						SWNAKSØ-IAD			
				approved by									
				modified by		drawing no.							





© NAKS Inc. All rights reserved, also regarding any disposal, exploitation, editing, distribution, as well as in the event of applications for industrial property rights.

	Ø	10	11	12	13	14	16	18	20	22			
	A	10	11	12	13	14	16	18	20	22			
F	material: inside/outside	304		surface: inside/outside	BA		inch / lb				scale		
						revisions-no.				 NORTH AMERICAN KITCHEN SOLUTIONS INCORPORATED			
					date	name	description 87 Degree Elbow w/ Access				format US LETTER		
					drawn by			code				sheet	
					checked by			SWNAKSØ-87EA					
				approved by			drawing no.						
				modified by									

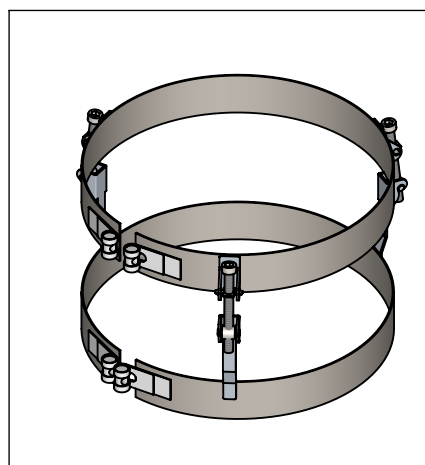
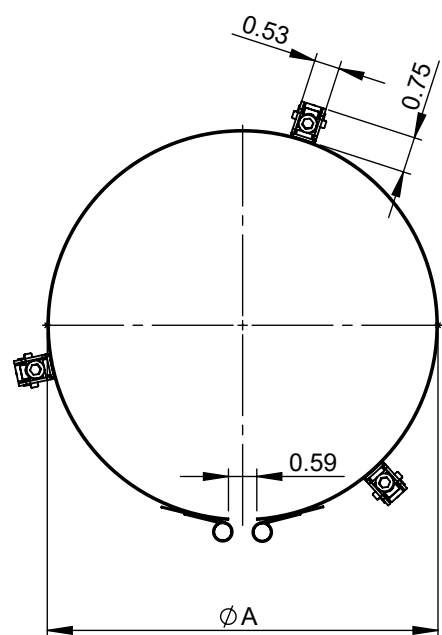
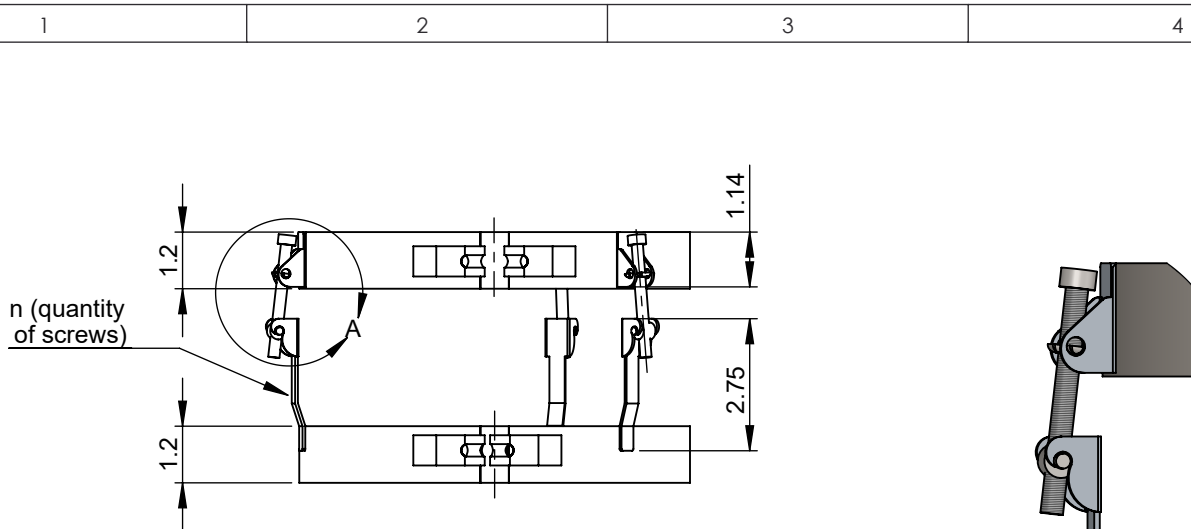




Ø	10	11	12	13	14	16	18	20	22
A	10	11	12	13	14	16	18	20	22

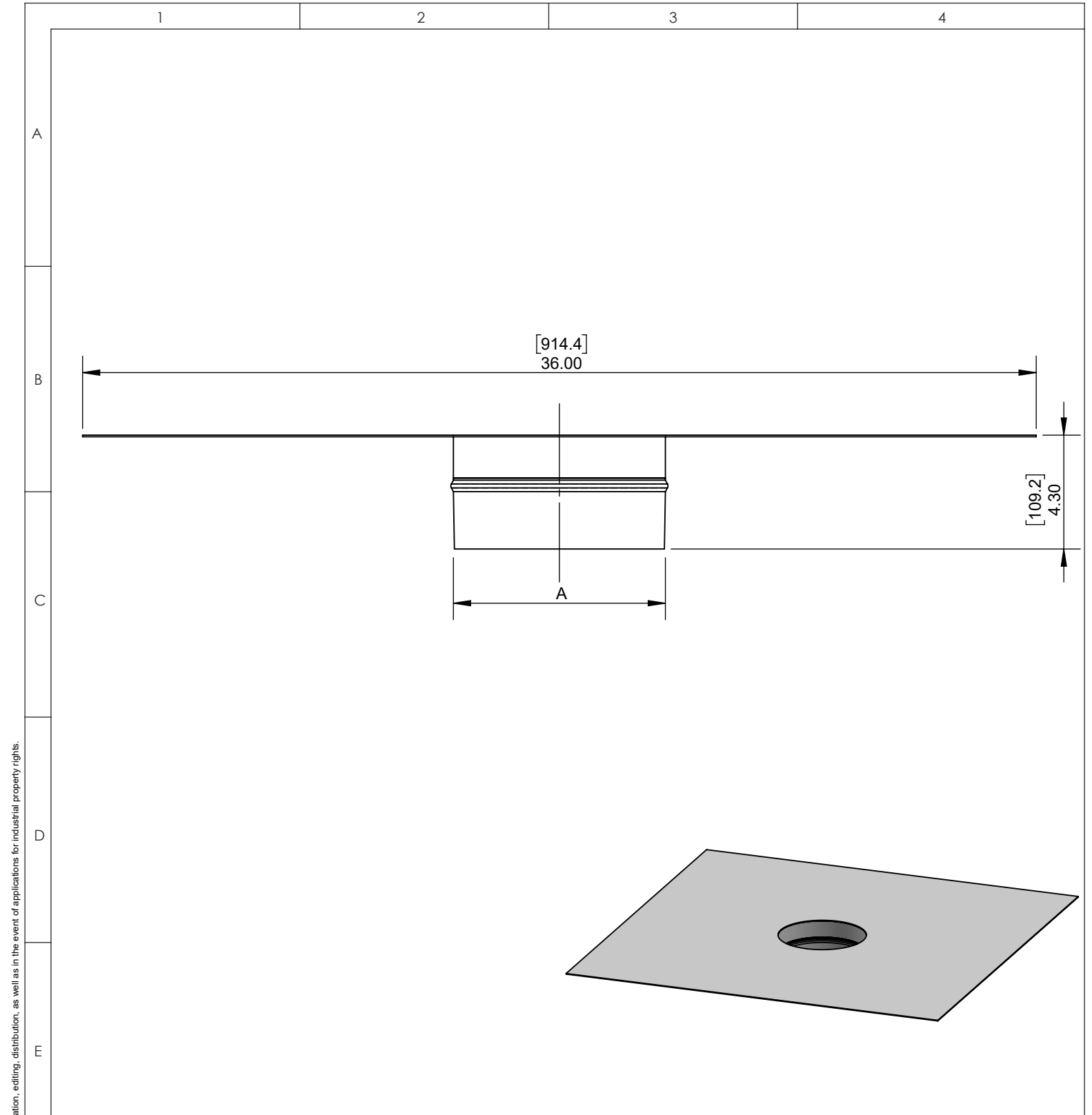
material: inside/outside	304	surface: inside/outside	BA	inch / lb		 NORTH AMERICAN KITCHEN SOLUTIONS INCORPORATED	scale
				revisions-no.	A		format US LETTER
F	description		date		name		sheet
	Light Support Band						
	code		drawn by		checked by		
	SWNAKSØ-LSB		approved by		modified by		
drawing no.							

© NAKS Inc. All rights reserved, also regarding any disposal, exploitation, editing, distribution, as well as in the event of applications for industrial property rights.


© NAKS Inc. All rights reserved, also regarding any disposal, exploitation, editing, distribution, as well as in the event of applications for industrial property rights.



\varnothing	10	11	12	13	14	16	18	20	22				
A	10	11	12	13	14	16	18	20	22				
material: inside/outside	304	surface: inside/outside	BA	inch / lb		 NORTH AMERICAN KITCHEN SOLUTIONS INCORPORATED				scale			
				revisions-no.						A		format	
				date	name	description				US LETTER			
				drawn by		code				sheet			
				checked by						SWNAKSØ-KLC			
				approved by									
				modified by		drawing no.							



© NAKS Inc. All rights reserved, also regarding any disposal, exploitation, editing, distribution, as well as in the event of applications for industrial property rights.

	Ø	10	11	12	13	14	16	18	20	22	
	A	10	11	12	13	14	16	18	20	22	
F	material: inside/outside	304		surface: inside/outside	BA		inch / lb				scale
					revisions-no.				 NORTH AMERICAN KITCHEN SOLUTIONS INCORPORATED	format	
					date	name		description		US LETTER	
					drawn by					Fan Plate Adapter - End 36"x36"	sheet
					checked by						code
				approved by			SWNAKSØ-FPE:36x36				
				modified by			drawing no.	